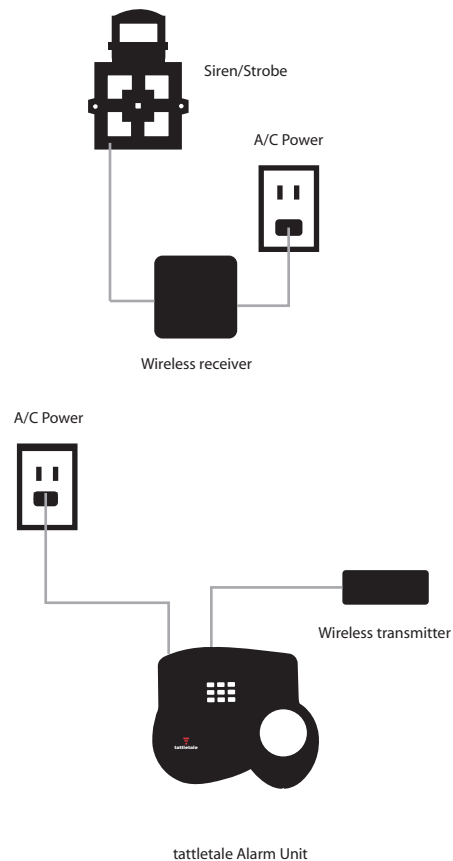


Wireless Siren/Strobe

Optional accessory

General information

Project the alarm anywhere you need it. The Wireless Siren/Strobe is constructed of strong, rust free die-cast aluminum and is intended to be mounted outside. It is activated when the tattletale's siren and strobe goes off.



Use as many optional accessories as you need with each tattletale alarm unit.

Mounting instructions

- Remove the back cover by loosening the two side screws. (See diagram 1)
- Mount the back plate onto a secure fixture. If you have to disconnect the front cover to mount it, remember the position of the two leads (red on top, black on the bottom).
- Replace the front cover and tighten the two side screws.
- Connect the individual components according to the diagrams.

Testing the remote siren/strobe

- Call 1-888-835-5668 to put your account on test.
- The tattletale does not need to be armed to test the siren/strobe.
- Press the * and # buttons at the same time to sound an instant alarm. (If your account is not on test when you do this, the police will be dispatched).
 - Enter your 4 digit arming code to turn off the siren.
 - The remote siren/strobe should activate when the siren and strobe on the tattletale activates. If this does not happen, examine the connection between the plug and the jack on the back of the tattletale.

Troubleshooting

- If the siren & strobe begins to sound when the tattletale is not armed or during a non-alarm, the battery in the transmitter may need to be replaced.
 - Open the transmitter connected to the tattletale siren & strobe port and replace the battery with a 3.0 Volt Lithium Ion Type 123 cylindrical battery available at any photo store.
- Call 1-888-835-5668 for assistance.

Protect Anything.
Anytime.
Anywhere.